

8 7 6 5 4 3 2 1

F F

E E

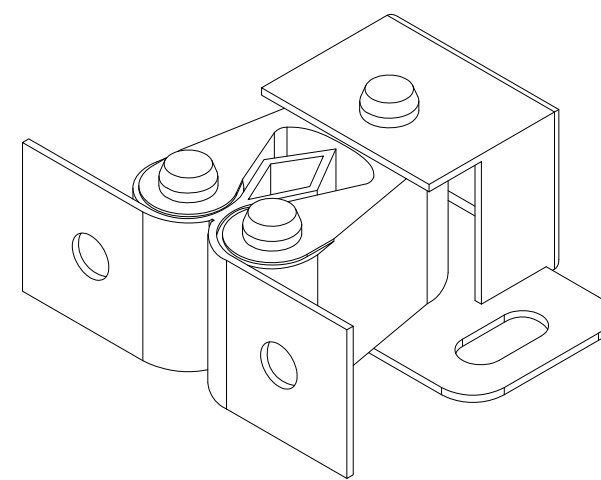
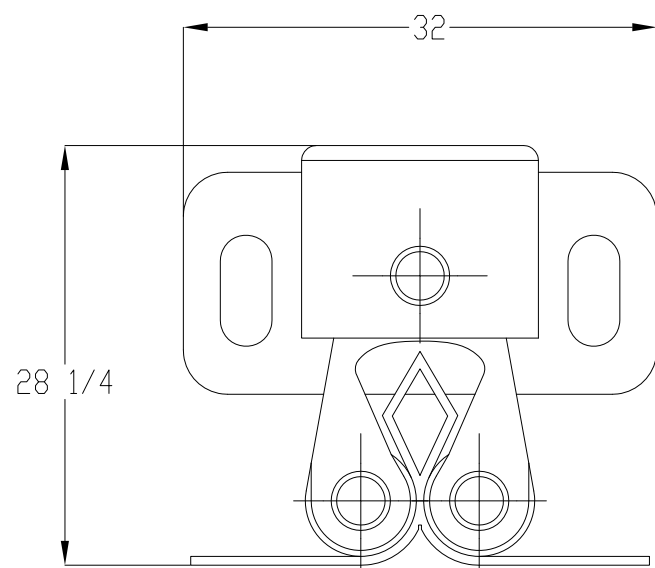
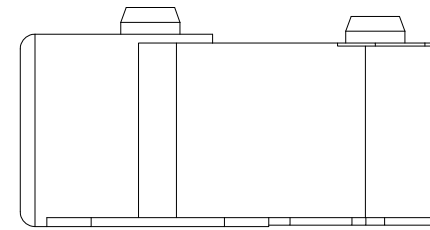
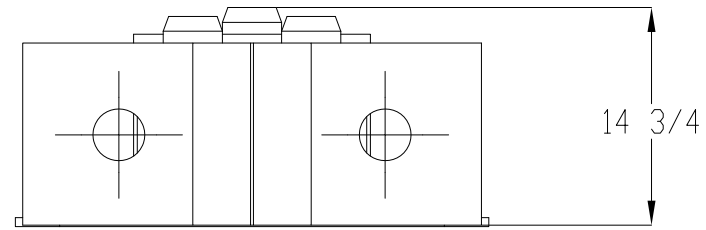
D D

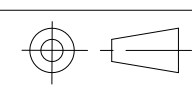
C C

B B

A A

8 7 6 5 4 3 2 1



UNLESS OTHERWISE SPECIFIED DIM ARE IN MILLIMETERS (mm) GENERAL TOLERANCES 0.00 - 14.99 ± 0.10 15.00 - 39.99 ± 0.20 40.00 - 74.99 ± 0.30 75.00 - 99.99 ± 0.45 100.00 - 199.99 ± 0.70 200.00 - 299.99 ± 1.00 300.00 - ± 1.10 ANGLE ± 1.0°	THIRD ANGLE PROJECTION		 hardware resources®		
	MATERIAL	FINISH			
	STEEL		RC01		
	DRAWN BY	DATE	DRAWING NUMBER		REV
	Alexander.W	08-03-16			
	DESIGNED BY	DATE			
			SIZE	RELEASE LEVEL	
	APPROVED BY	DATE	A3	SCALE 1:1	SHEET 1 OF 1